



CAUTION! Do not adjust the platform or make any changes to it, while there is a firearm in the holster.

All of our attachments can be used with any of our holsters.
Use the following instructions to assemble your attachments



Molle



Paddle



Paddle Gen II



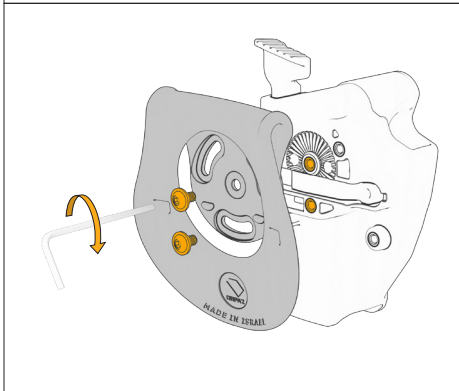
Belt Loop



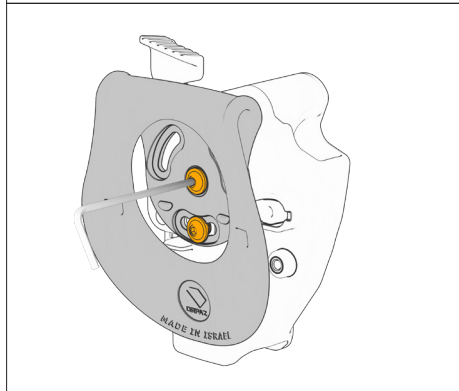
Low Ride

ORPAZ ATTACHMENTS INSTALLATION

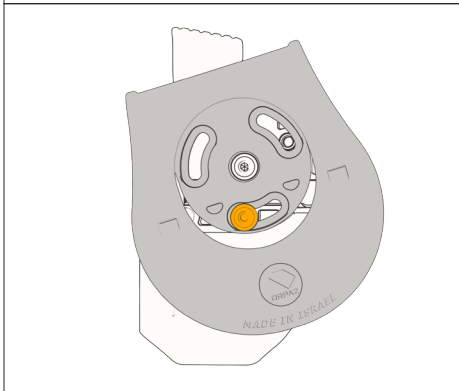
1. Align the holster mounting inserts with the holes on the attachment.



2. Firmly hand tighten the screws.



3. Adjust the rotation of the holster to your desired position and then tighten the screw.



4. Use the retention screw to set the retention of the holster.

