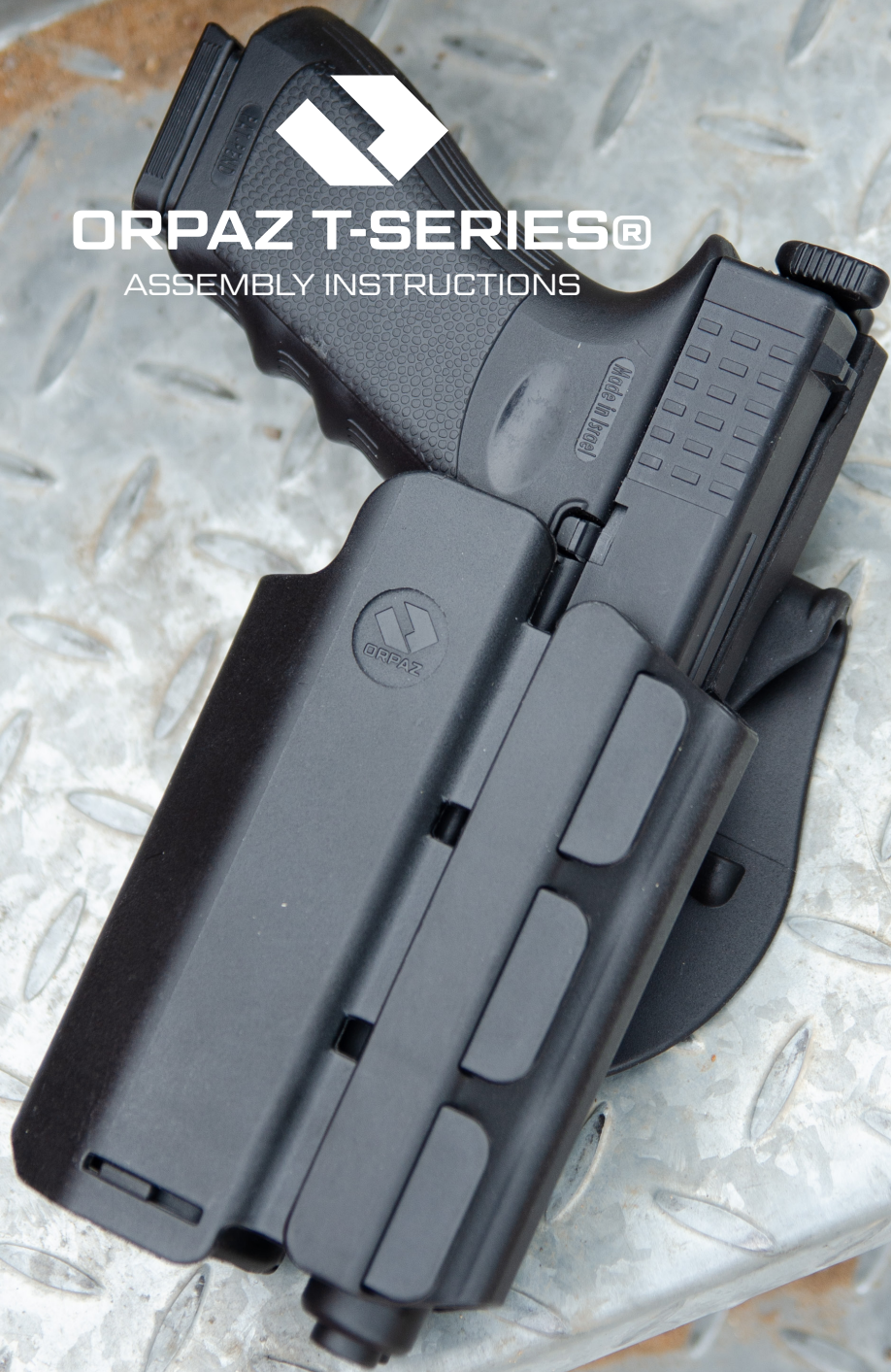




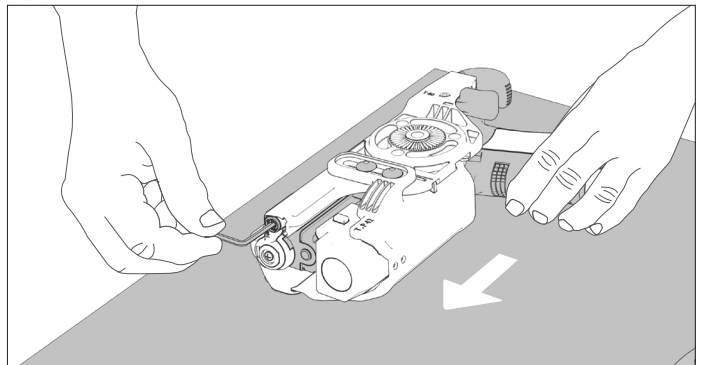
ORPAZ T-SERIES®

ASSEMBLY INSTRUCTIONS



WARNING : Read and understand the instructions thoroughly before adjusting your holster

Before adjusting your orpaz holster, make sure to **engage the safety, remove the magazine and make sure that the weapon is unloaded** with no magazine in the well. Be certain the pistol is pointed **in a SAFE direction** so that no other persons are endangered. ensure that your fingers or other parts of the hands and face are **kept away from the slide**.



Before adjusting your Orpaz holster, make sure your pistol is **checked clear and safe**

The T40 can be used with All of our attachments.
Follow the instructions to assemble your attachments.



Molle



Paddle



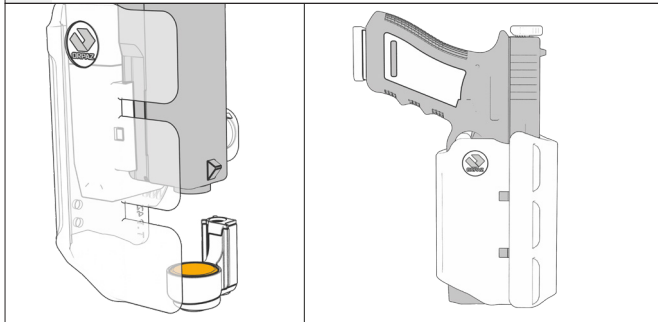
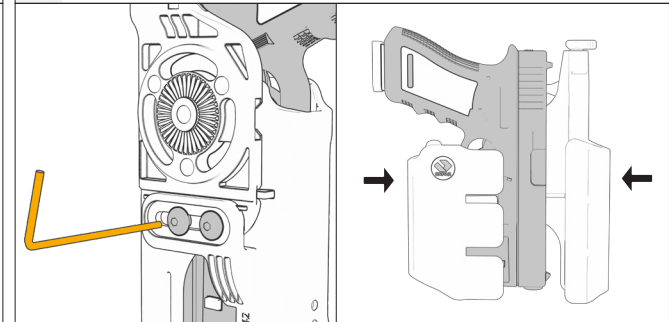
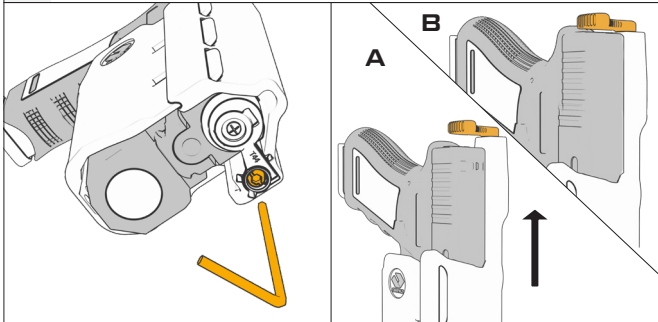
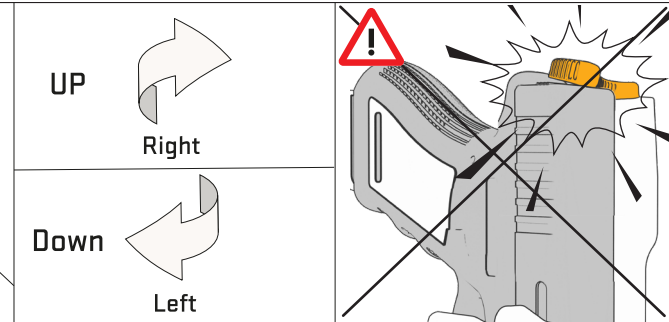
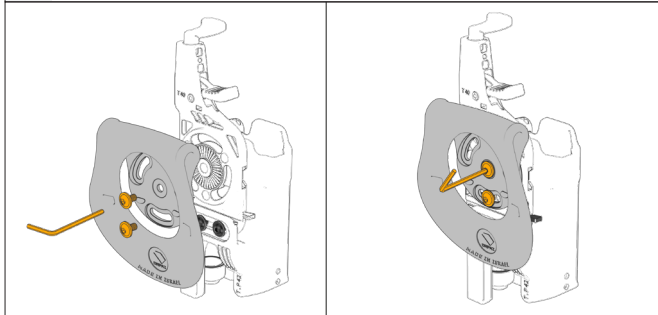
Paddle Gen II



Belt Loop

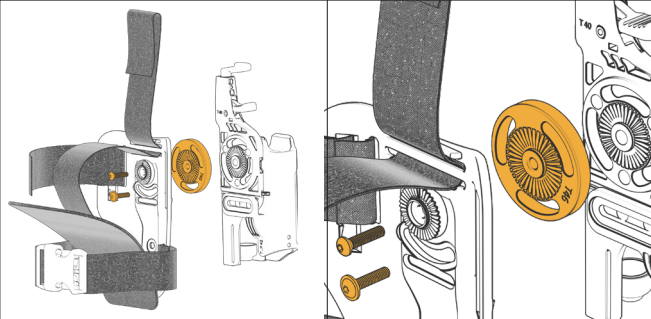


Low Ride

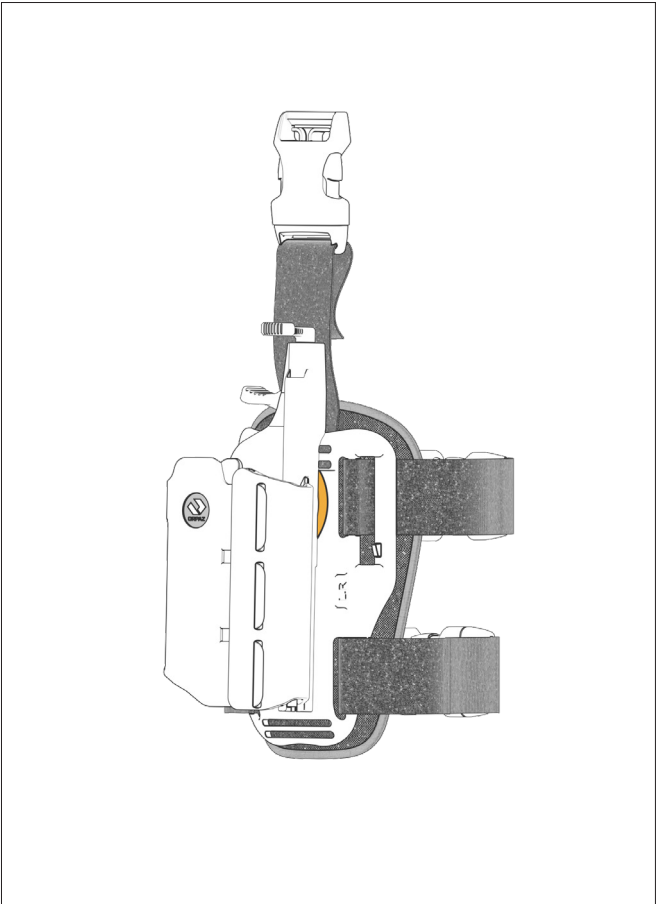
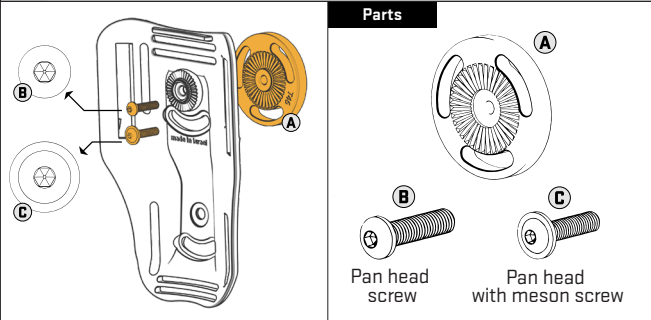
| | |
|---|--|
| <p>1 To set the retention of your Orpaz T-40, place your pistol firmly into the holster. The barrel of your pistol will touch the magnet</p> | <p>2 Use an Allen key to loosen the back screws and adjust the width of the holster</p> |
|  |  |
| <p>3 Use an Allen key to adjust the spring screw, This will adjust the height of the holster.</p> | <p>Be aware while adjusting the height of the holster to keep at least 2mm between the slide of your pistol and the flipper.</p> |
|  |  |
| <p>5 Attachment installation - Align the attachment with the mounting hole on the holster-Firmly hand tighten both screws</p> | |
|  | |

LEG-PLATFORM ADAPTER

- 1** Connect the adapter between the holster and the leg platform. Ensure that the position and orientation are correct



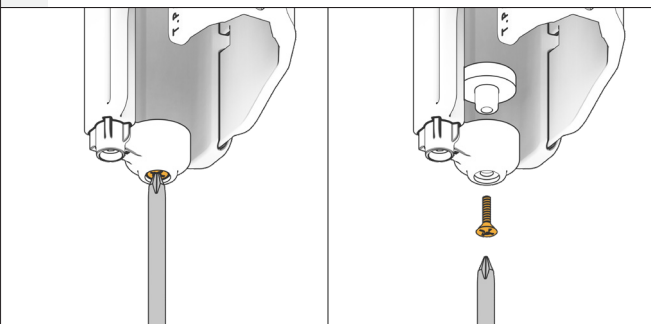
- 2** Place the screws in the correct order, tighten both screws firmly. Do not overtighten



SUB COMPACT PISTOLS EXTENTION

If you're using a subcompact pistol, this extension is necessary to ensure a good fit

- 1** Loosen the Phillips screw and take out the magnet.



- 2** Insert the magnet into the extension, then connect everything together using the long Phillips screw.

