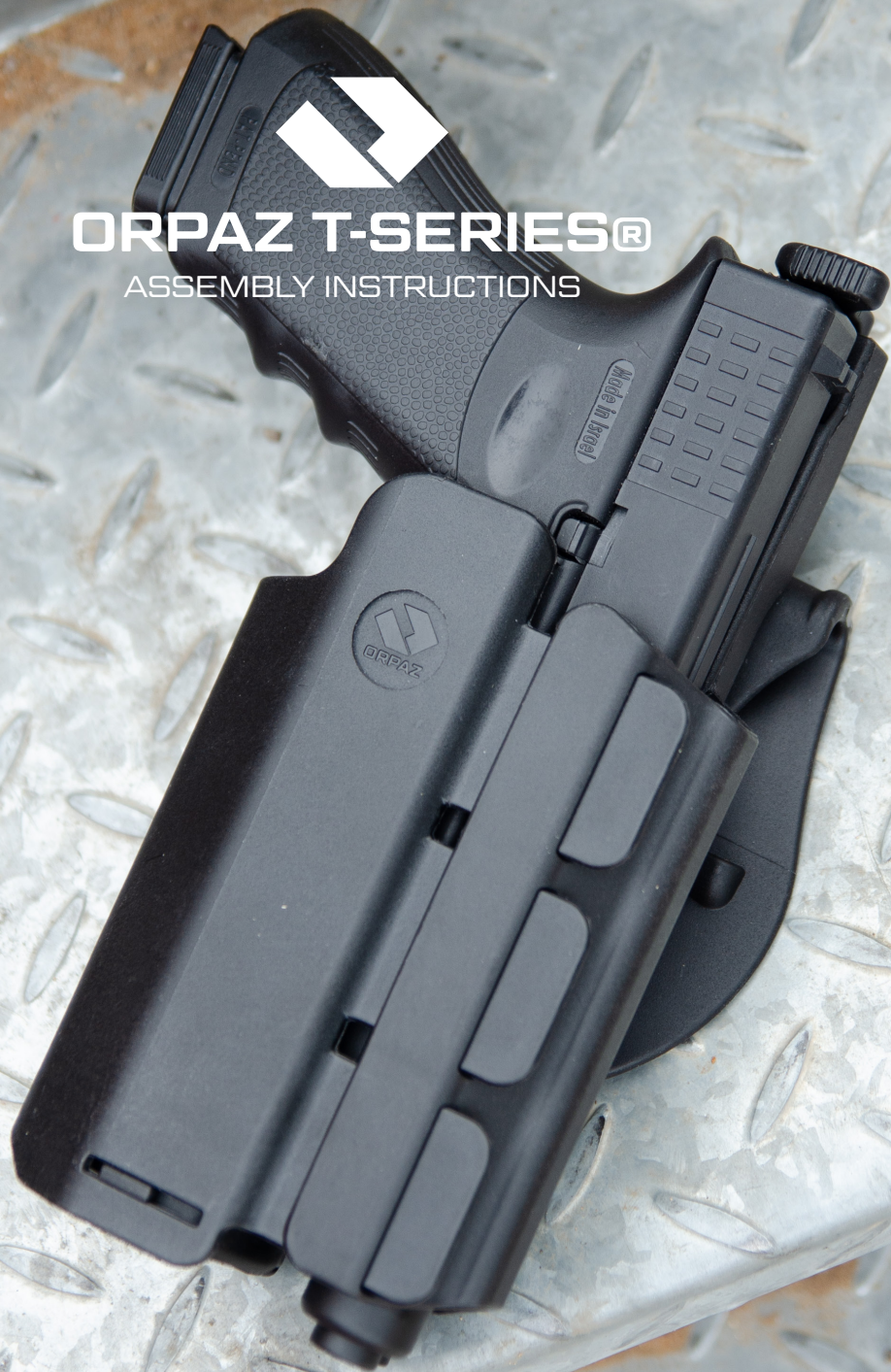




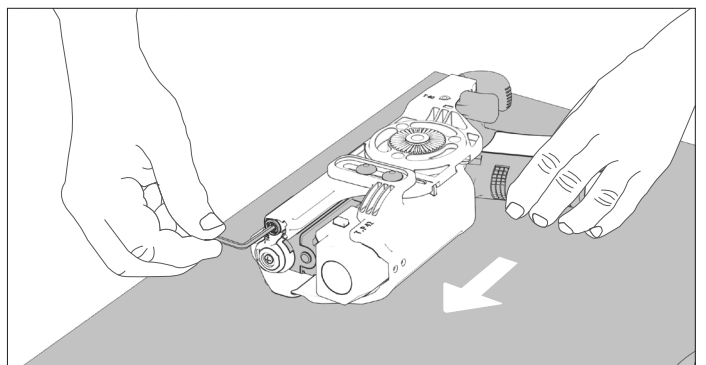
ORPAZ T-SERIES®

ASSEMBLY INSTRUCTIONS



WARNING : Read and understand the instructions thoroughly before adjusting your holster

Before adjusting your orpaz holster, make sure to **engage the safety, remove the magazine and make sure that the weapon is unloaded** with no magazine in the well. Be certain the pistol is pointed **in a SAFE direction** so that no other persons are endangered. ensure that your fingers or other parts of the hands and face are **kept away from the slide**.



Before adjusting your Orpaz holster, make sure your pistol is **checked clear and safe**

The T41 can be used with All of our attachments.
Follow the instructions to assemble your attachments.



Molle



Paddle



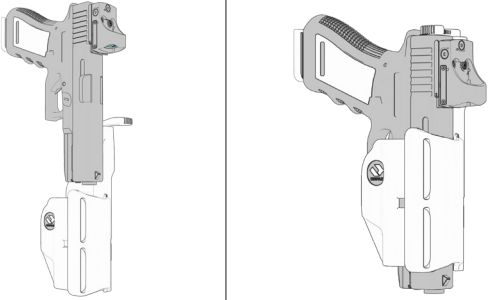
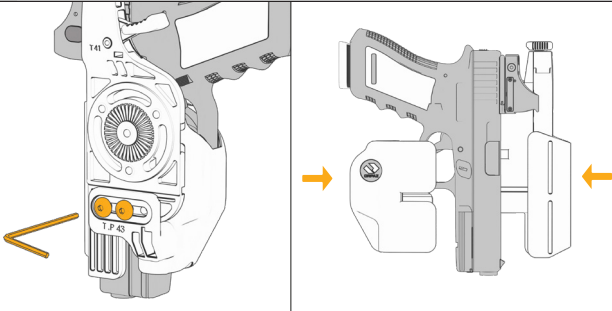
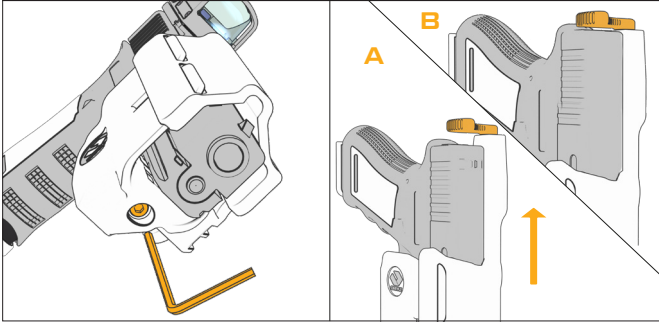
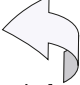

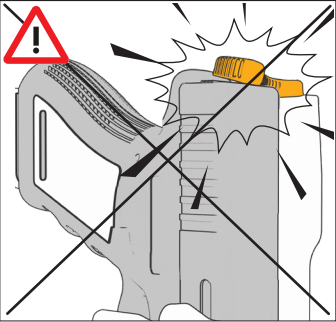
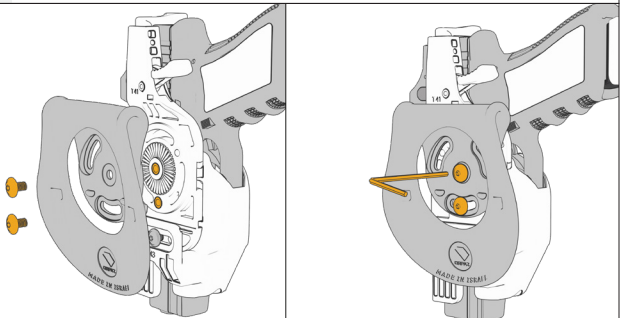
Paddle Gen II



Belt Loop

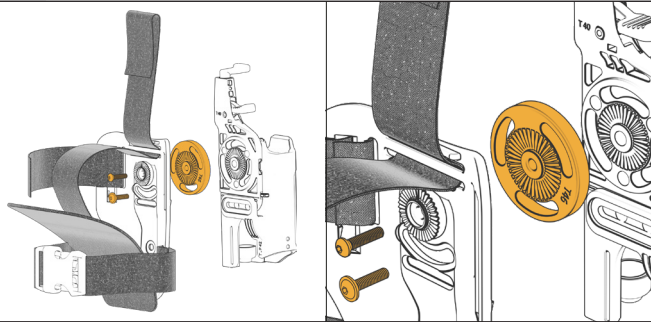


Low Ride

<p>1 To set the retention of your Orpaz T-41, place your pistol firmly into the holster. The barrel of your pistol will touch the magnet</p>	<p>2 Use an Allen key to loosen the back screws and adjust the width of the holster</p>
	
<p>3 Use an Allen key to adjust the spring screw, This will adjust the height of the holster.</p>	<p>Be aware while adjusting the height of the holster to keep at least 2mm between the slide of your pistol and the flipper.</p>
	<div style="display: flex; justify-content: space-around;"> <div style="text-align: center;"> <p>UP</p>  <p>Left</p> </div> <div style="text-align: center;"> <p>Down</p>  <p>Right</p> </div> </div> 
<p>5 Attachment installation - Align the attachment with the mounting hole on the holster-Firmly hand tighten both screws</p>	
	

LEG-PLATFORM ADAPTER

- 1** Connect the adapter between the holster and the leg platform.
Ensure that the position and orientation are correct



- 2** Place the screws in the correct order, tighten both screws firmly
Do not overtighten

